

2 element Yagi 420 - 470 MHz

DESCRIPTION

- > A 2-element UHF Yagi antenna for PMR/Trunked Radio, Broadcast and extended range VHF Aircraft Band applications.
- > Produced to the highest quality standards, these robust antenna designs will ensure reliable operation in harsh environmental conditions.
- > Former Jaybeam brand product.

SPECIFICATIONS

Electrical	
Frequency	420 - 470 MHz
Max. Input Power	150 W
Polarisation	Linear (Vertical or Horizontal)
3 dB Beamwidth, E-Plane	75 °
3 dB Beamwidth, H-Plane	150 °
Impedance	50 Ω
Gain	3 dBd (5.2 dBi)
VSWR	< 1.5:1
Front-To-Back Ratio	> 12 dB
Antistatic Protection	All metal parts DC-grounded (Connector shows a DC-short)

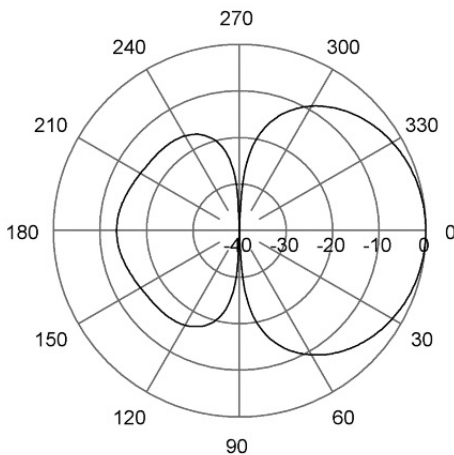
Mechanical	
Connection(s)	N(f) on 3m RG213/U cable
Materials	Boom, 32 mm dia. aluminium elements, 12.7 mm dia. aluminium balun, Fully moulded enclosure
Length	670 mm / 26.38 in.
Wind Load	46 N (160km/h)
Weight	1.2 kg / 2.65 lb
Mounting Bracket	3202078/68 + 3201079/00 (Ordered Separately)
Alternate Mounting Bracket	0900912/00, 0302032/68, or 0300064/00 + U-Bolts to match mounting pipe diameter (Ordered Separately)

ORDERING

Model	Product No.	Frequency
2 element Yagi 420-470 MHz	7039420	420 - 470 MHz
Galvanised steel crossover bracket 32/50mm	0900912/00	
Pressed steel cross clamp 2" x 1-1/4" (JBL73)	0302032/68	
Cast aluminium cross clamp, circular	0300064/00	
M8 x 50mm (2") U-Bolts (1 Pair)	4884036/00	
M8 x 75mm (3") U-Bolts (1 Pair)	4884076/00	
Fixed norstel / coupler clamp (cross clamp)	3202078/68	
Increasing sleeve	3201079/00	

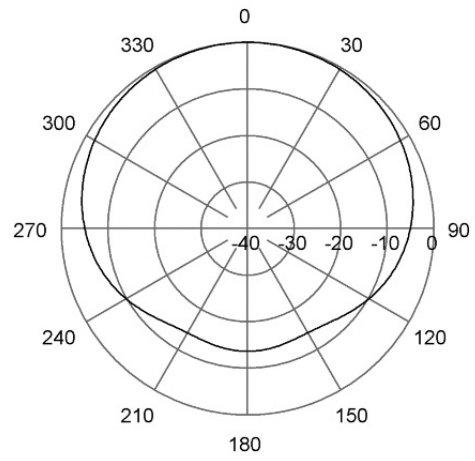


RADIATION PATTERNS



E-Plane | 445 MHz

RADIATION PATTERNS



H-Plane | 445 MHz