

7825100

Multi Band | Omni | V-Pol | 360° | 2.5 dBi

- Multi band, vertically polarized, omni antenna
- Various mounting kits available for ceiling, wall or pole mounting

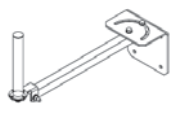
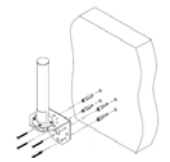
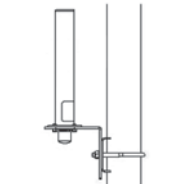
Electrical Characteristics		
Frequency Band	800-2700 MHz	
Polarization	Vertical	
Horizontal Beamwidth	Omnidirectional	
Vertical Beamwidth	50°	
Gain	2.5 dBi	
Impedance	50Ω	
VSWR	800-960 MHz	< 1.8:1
	960-1710 MHz	< 2.5:1
	1710-2700 MHz	< 1.8:1
Input Power	50W	
Connector(s)	1 port / N-Type Female / Bottom	
IP Rating	IP65	

Mechanical Characteristics	
Radome Color	White
Dimensions (Length x Diameter)	175 x Ø28 mm / 6.9 x Ø1.1 in
Dimensions including connector (L x D)	205 x Ø28 mm / 8.1 x Ø1.1 in
Weight	0.12 kg / 0.26 lbs
Wind Load (160 km/hr or 100 mph)	11 N / 2.5 lbf

Mounting Characteristics	Model Number	Image	Fits Pipe Diameter	Weight
--------------------------	--------------	-------	--------------------	--------

All mounting bracket kits are ordered separately unless otherwise indicated. Select from the options listed below.

Mounting interface is four Ø3.4 mm (0.1 in) holes equally spaced on a Ø41 mm (1.6 in) bolt circle

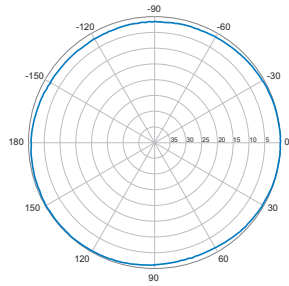
Universal Wall / Ceiling Mounting Kit	505-173-5-003		---	2.7 kg / 6 lbs
Wall Mounting Kit	XSL9254316		---	0.5 kg / 1.1 lbs
Wall or Pole Mounting Kit	XSL9254317		30-53 mm / 1.2-2.0 in	0.5 kg / 1.1 lbs



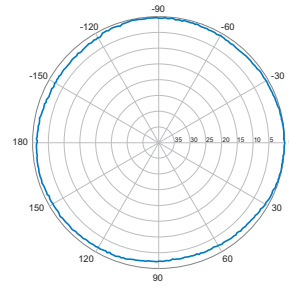
Quoted performance parameters are provided to offer typical or range values only and may vary as a result of normal manufacturing and operational conditions. Extreme operational conditions and/or stress on structural supports is beyond our control. Such conditions may result in damage to this product. Improvements to product may be made without notice.

7825100

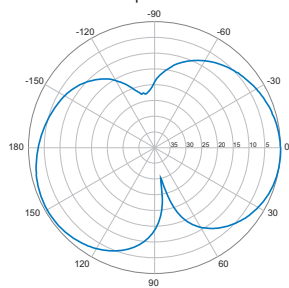
Multi Band | Omni | V-Pol | 360° | 2.5 dBi



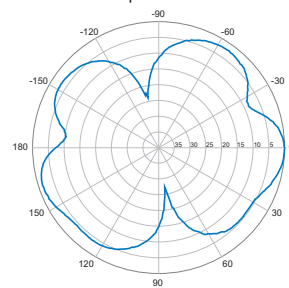
Horizontal | 800-960 MHz



Horizontal | 1710-2700 MHz



| Vertical | 800-960 MHz



0° | Vertical | 1710-2700 MHz

Quoted performance parameters are provided to offer typical or range values only and may vary as a result of normal manufacturing and operational conditions. Extreme operational conditions and/or stress on structural supports is beyond our control. Such conditions may result in damage to this product. Improvements to product may be made without notice.