

## 8 element Yagi 380 - 430 MHz

### DESCRIPTION

- > An 8-element UHF Yagi antenna for PMR/Trunked Radio and Broadcast applications.
- > Produced to the highest quality standards, these robust antenna designs will ensure reliable operation in harsh environmental conditions.
- > Former Jaybeam brand product.

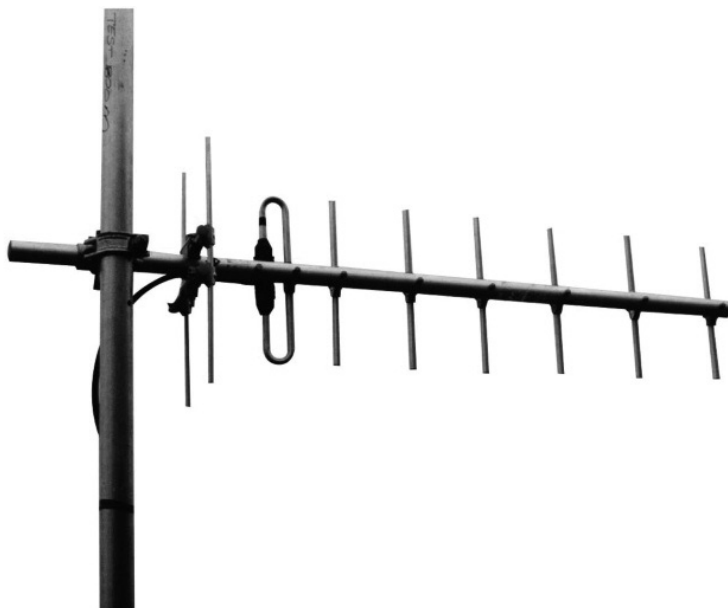
### SPECIFICATIONS

Electrical	
Frequency	380 - 430 MHz
Max. Input Power	150 W
Polarisation	Linear (Vertical or Horizontal)
3 dB Beamwidth, E-Plane	45 °
3 dB Beamwidth, H-Plane	54 °
Impedance	50 Ω
Gain	10 dBd (12.2 dBi)
VSWR	< 1.5:1
Front-To-Back Ratio	> 20 dB
Antistatic Protection	All metal parts DC-grounded (Connector shows a DC-short)
In iBwave	Yes

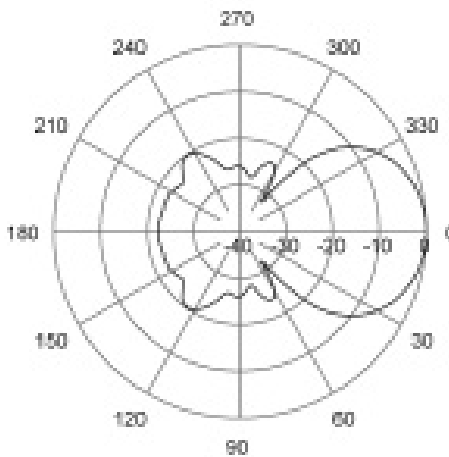
Mechanical	
Connection(s)	N(f) on 3m RG213/U cable
Materials	Boom, 32 mm dia. aluminium elements, 12.7 mm dia. aluminium balun, Fully moulded enclosure
Length	1460 mm / 57.48 in.
Wind Load	108 N (160km/h)
Weight	3.4 kg / 7.50 lb
Mounting Bracket	3202078/68 + 3201079/00 (Ordered Separately)
Alternate Mounting Bracket	0900912/00, 0302032/68, or 0300064/00 + U-Bolts to match mounting pipe diameter (Ordered Separately)

### ORDERING

Model	Product No.	Description	Frequency
8 element Yagi 380-430 MHz	7043410		380 - 430 MHz
8 element Yagi 380-430 MHz	7043410-716F	7/16(f) termination	380 - 430 MHz
Galvanised steel crossover bracket 32/50mm	0900912/00		
Pressed steel cross clamp 2" x 1-1/4" (JBL73)	0302032/68		
Cast aluminium cross clamp, circular	0300064/00		
M8 x 50mm (2") U-Bolts (1 Pair)	4884036/00		
M8 x 75mm (3") U-Bolts (1 Pair)	4884076/00		
Fixed norstel / coupler clamp (cross clamp)	3202078/68		
Increasing sleeve	3201079/00		

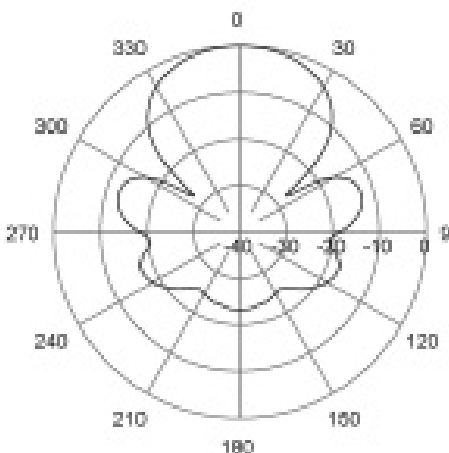


### RADIATION PATTERNS



E-Plane | 405 MHz

### RADIATION PATTERNS



H-Plane | 405 MHz