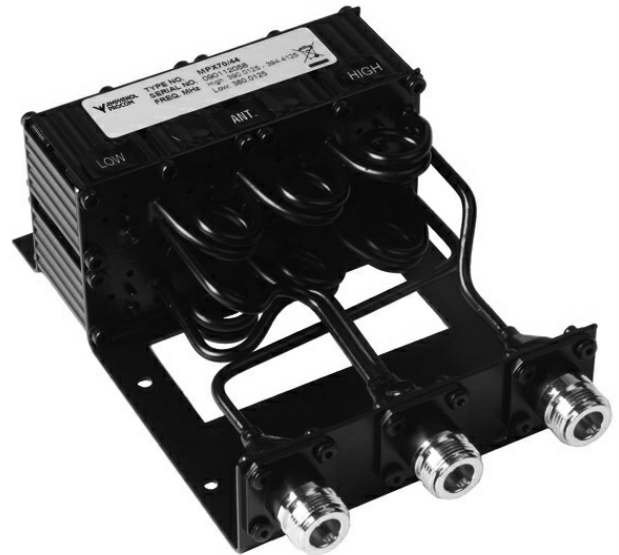


Mini-Duplex for the extended TETRA Band

DESCRIPTION

- The version MPX 70/44 380-EXT is a 8-resonator small size Duplex Filter. It is especially developed for duplexing into one antenna the Tetra Public Safety extended band together with e.g. the Public Safety DMO (Direct MOfde) frequency range 406 - 410 MHz, or together with the private Tetra networks e.g. in the freq. range 415 - 430 MHz.
- This compact "mini-plexer" meets the demand for a modern, space saving, high performance filter.
- Overall the duplexer MPX 70/44 is available in a variety of different versions depending on duplex spacing, frequency, bandwidth and attenuation. Please ask Customer Service for availability.
- The MPX 70/44 models are tunable within the frequency range 380 - 470 MHz. The miniaturization of the filter has been realized by using special high-Q, temperature compensated helical resonators.
- The housing is made of extruded aluminium, the chassis of steel, and teflon insulation has been applied in the rigid coaxial cables and in the connectors.
- MPX 70/44 380-EXT is coated with black vinyl to prevent corrosion.



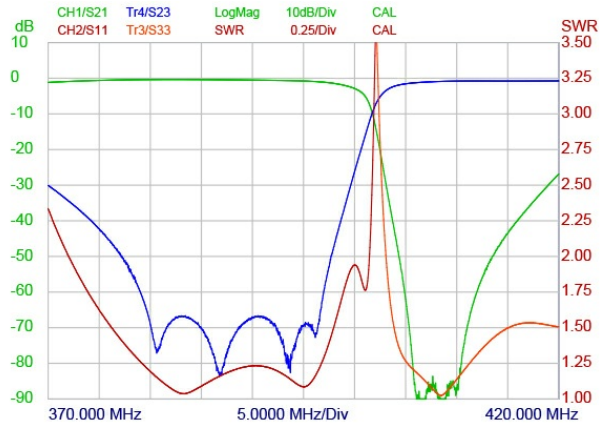
SPECIFICATIONS

Electrical		
Model	MPX 70/44 380-EXT/406-410	MPX 70/44 380-EXT/415-430
Frequency	380 - 396.5 MHz / 406 - 410 MHz	380 - 396.5 MHz / 415 - 430 MHz
Max. Input Power	25 W	
Insertion Loss Tx-Ant and Ant-Rx	≤ 1.5 dB	
Impedance	50 Ω	
Isolation Tx-Rx	≥ 60 dB	
VSWR	< 1.5:1	
Bandwidth	Low : 16.5 MHz High : 4.0 MHz	Low : 16.5 MHz High : 15.0 MHz
Mechanical		
Connection(s)	N(f) (BNC(f), TNC(f), UHF(f) or SMA(f) on request)	
Dimensions	143 (excl. conn.) x 104 x 56 mm / 5.63 x 4.10 x 2.20 in.	
Weight	Approx. 0.7 kg / 1.54 lb.	
Environmental		
Operating temperature range	-30 °C to +60 °C	

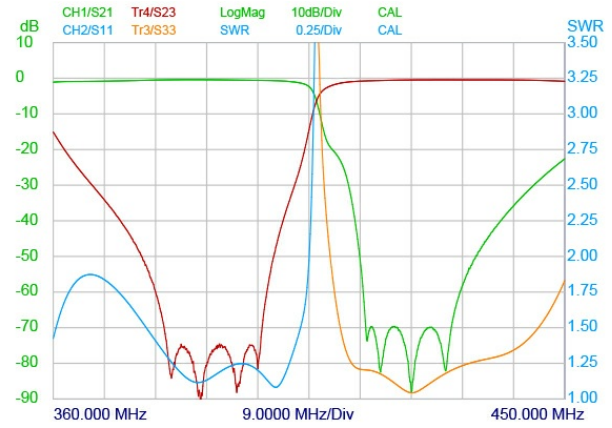
ORDERING

Model	Product No.	Frequency
MPX 70/44 380-EXT/406-410	200002903	380 - 396.5 MHz / 406 - 410 MHz
MPX 70/44 380-EXT/415-430	200002930	380 - 396.5 MHz / 415 - 430 MHz

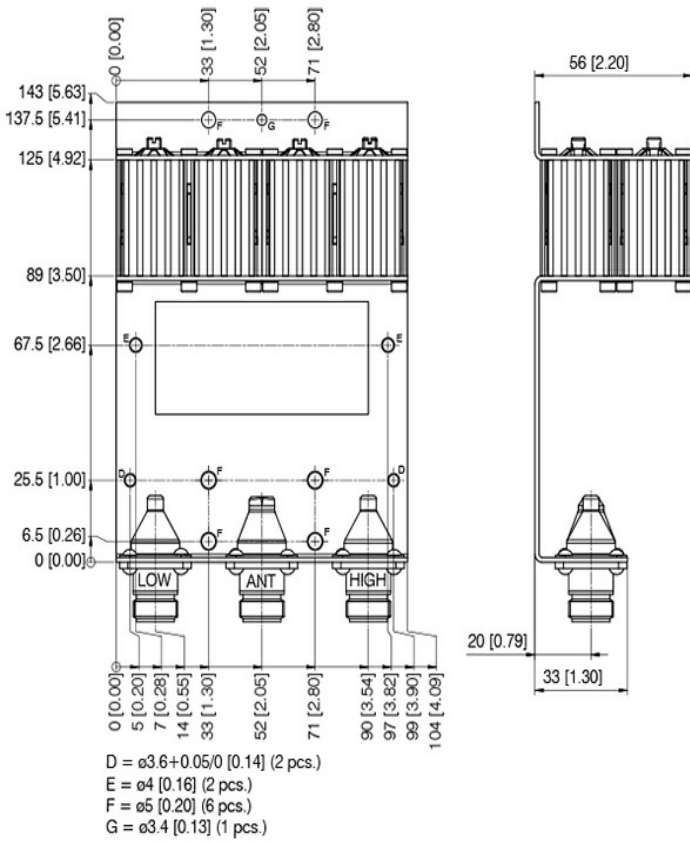
TYPICAL RESPONSE CURVE FOR 406 - 410 MHZ



TYPICAL RESPONSE CURVE FOR 415 - 430 MHZ



MOUNTING DETAILS



All dimensions are given in mm [in.]

